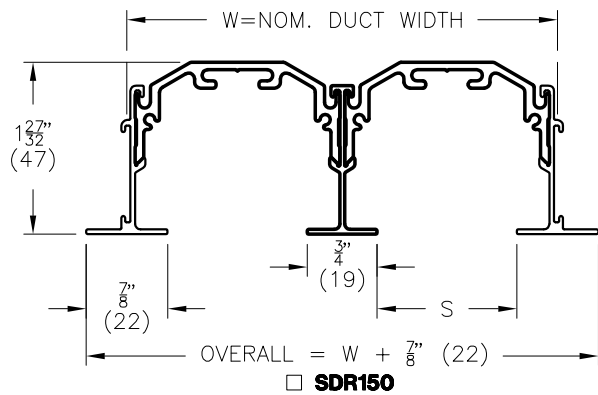
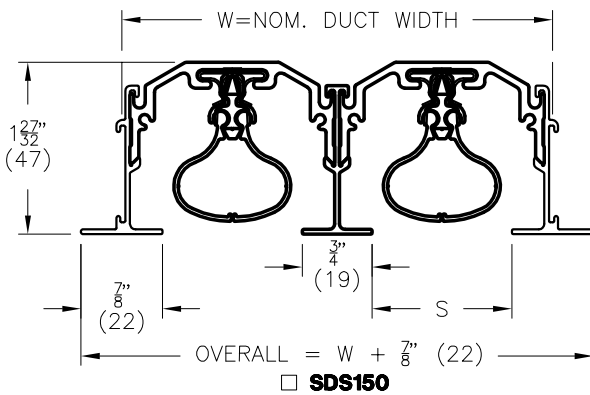
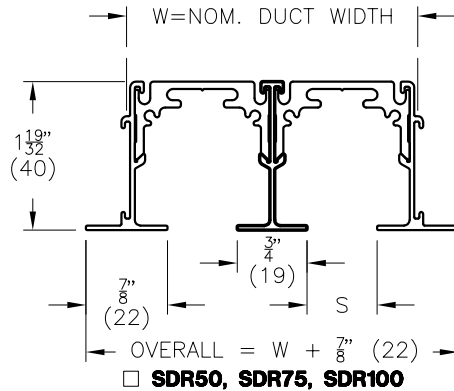
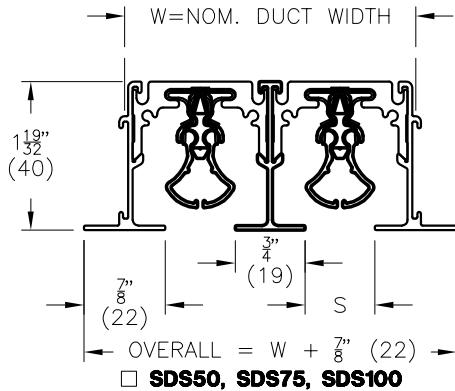


**SDS / SDR LINEAR SLOT DIFFUSER - TYPE 9B
SUSPENDED CEILING TYPE**



FINISH:

- PATTERN CONTROLLERS - B17 BLACK
- DIFFUSER FACE - B12 WHITE (OPTIONAL FINISHES AVAILABLE)

MATERIAL:

- EXTRUDED ALUMINUM FRAME
- EXTRUDED ALUMINUM PATTERN CONTROLLERS ON MODELS SDS50, SDS150
- ROLLFORMED STEEL OR EXTRUDED ALUMINUM PATTERN CONTROLLERS ON SDS75, SDS100

NOTE:

- MINIMUM LENGTH 8" (203)
- MAXIMUM SECTION LENGTH 72" (1829)
- UNITS 5 SLOT AND LARGER SUPPLIED WITH 1" (25) REINFORCING ANGLES ATTACHED TO DIFFUSER
- 180° AIR PATTERN ADJUSTMENT AVAILABLE
- FOR INTEGRATION WITH CEILING SUSPENSION SYSTEMS
- USE TYPE 14 SDB / SDA PLENUMS, OR UP / UPL
- FACTORY TOLERANCE ± 1/32" (1)
- SEE INSTALLATION INSTRUCTION I100045

MODELS:

- | | |
|------------------------|------------------------|
| SUPPLY DIFFUSERS: | RETURNS: |
| □ SDS50 - 1/2" SLOT | □ SDR50 - 1/2" SLOT |
| □ SDS75 - 3/4" SLOT | □ SDR75 - 3/4" SLOT |
| □ SDS100 - 1" SLOT | □ SDR100 - 1" SLOT |
| □ SDS150 - 1 1/2" SLOT | □ SDR150 - 1 1/2" SLOT |

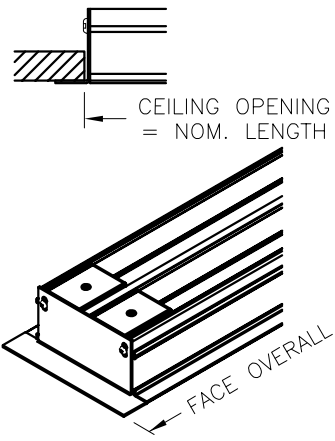
ALL METRIC DIMENSIONS () ARE SOFT CONVERTED. IMPERIAL DIMENSIONS ARE CONVERTED TO METRIC AND ROUNDED TO THE NEAREST MILLIMETER.

| | | | |
|------------------------|----------------------|---------------------------|--|
| PROJECT: | | PRICE [®] | |
| ENGINEER: | | <i>MJ</i> 235049 | SDS / SDR TYPE 9B LINEAR DIFFUSER SUSPENDED CEILING TYPE |
| CUSTOMER: | | | |
| SUBMITTAL DATE: | SPEC. SYMBOL: | 2013/08/30 | |

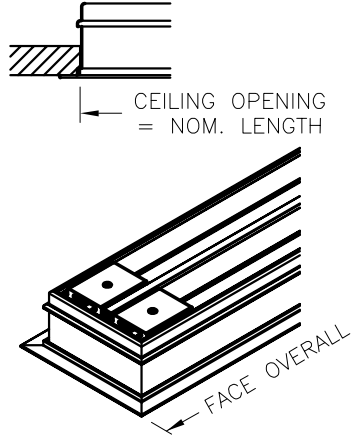
**SDS / SDR LINEAR SLOT DIFFUSER - TYPE 9B
SUSPENDED CEILING TYPE**

END CONDITIONS:

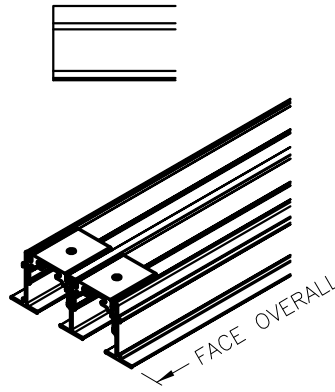
W - FLANGE END



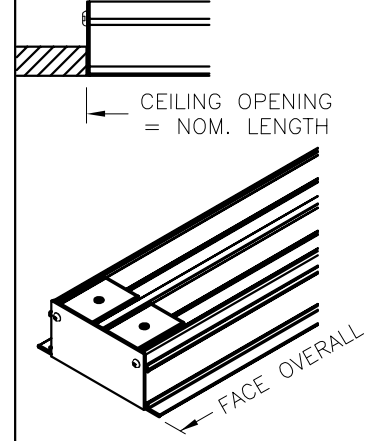
X - MITRED END



Y - OPEN END
FOR SPLICING TOGETHER
MULTIPLE SECTIONS



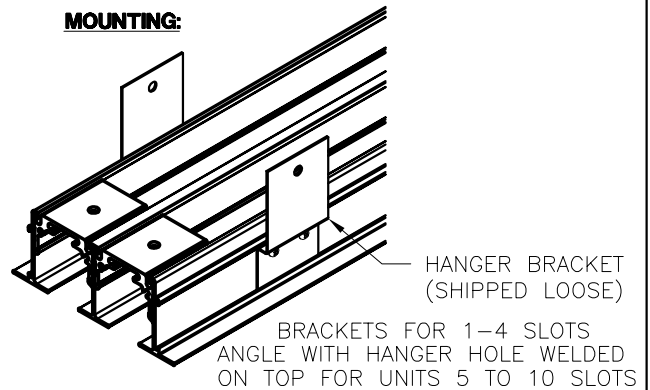
Z - FLUSH END CAP



| END CONDITION | FACE OVERALL LENGTH |
|---------------|---------------------------|
| W-W | NOM. LENGTH + 1 1/4" (32) |
| W-Y | NOM. LENGTH + 5/8" (16) |
| X-X | NOM. LENGTH + 7/8" (22) |
| X-Y | NOM. LENGTH + 7/16" (11) |
| Y-Y | NOM. LENGTH |
| Y-Z | NOM. LENGTH |
| Z-Z | NOM. LENGTH |

SCREWHEADS EXTEND 1/8" (3) BEYOND
OPENING DIMENSION ON Z ENDS

MOUNTING:



| SLOTS | W | | | |
|-------|---------------|---------------|---------------|---------------|
| | SDS50 | SDS75 | SDS100 | SDS150 |
| 1 | 1 3/8" (35) | 1 5/8" (41) | 1 7/8" (48) | 2 3/8" (60) |
| 2 | 2 5/8" (67) | 3 1/8" (79) | 3 5/8" (92) | 4 5/8" (117) |
| 3 | 3 7/8" (98) | 4 5/8" (117) | 5 3/8" (137) | 6 7/8" (175) |
| 4 | 5 1/8" (130) | 6 1/8" (156) | 7 1/8" (181) | 9 1/8" (232) |
| 5 | 6 3/8" (162) | 7 5/8" (194) | 8 7/8" (225) | 11 3/8" (289) |
| 6 | 7 5/8" (194) | 9 1/8" (232) | 10 5/8" (270) | 13 5/8" (346) |
| 7 | 8 7/8" (225) | 10 5/8" (270) | 12 3/8" (314) | 15 7/8" (403) |
| 8 | 10 1/8" (257) | 12 1/8" (308) | 14 1/8" (359) | 18 1/8" (460) |
| 9 | 11 3/8" (289) | 13 5/8" (346) | 15 7/8" (403) | 20 3/8" (518) |
| 10 | 12 5/8" (321) | 15 1/8" (384) | 17 5/8" (448) | 22 5/8" (575) |

ALL METRIC DIMENSIONS () ARE SOFT CONVERTED. IMPERIAL DIMENSIONS ARE CONVERTED TO METRIC AND ROUNDED TO THE NEAREST MILLIMETER.

| | | |
|------------------------|----------------------|---------------------------|
| PROJECT: | | PRICE [®] |
| ENGINEER: | | |
| CUSTOMER: | | 235049 |
| SUBMITTAL DATE: | SPEC. SYMBOL: | 2013/08/30 |

SDS / SDR
TYPE 9B
LINEAR DIFFUSER
SUSPENDED CEILING TYPE